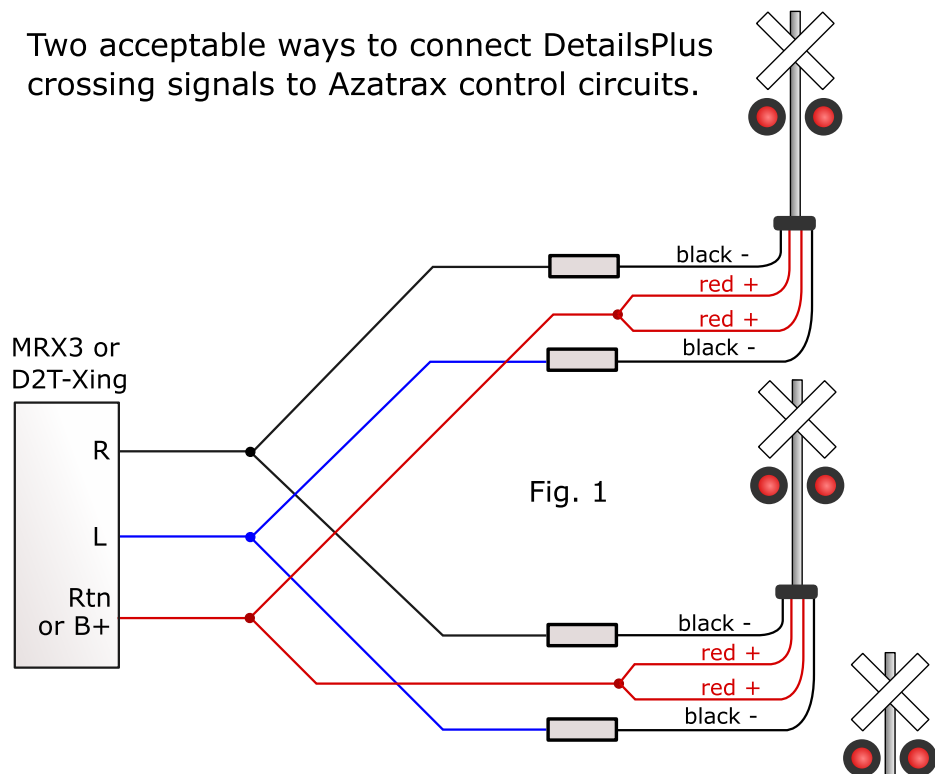


Two acceptable ways to connect DetailsPlus crossing signals to Azatrax control circuits.



Resistor. 1/4 watt or more
 700 ohms or more

