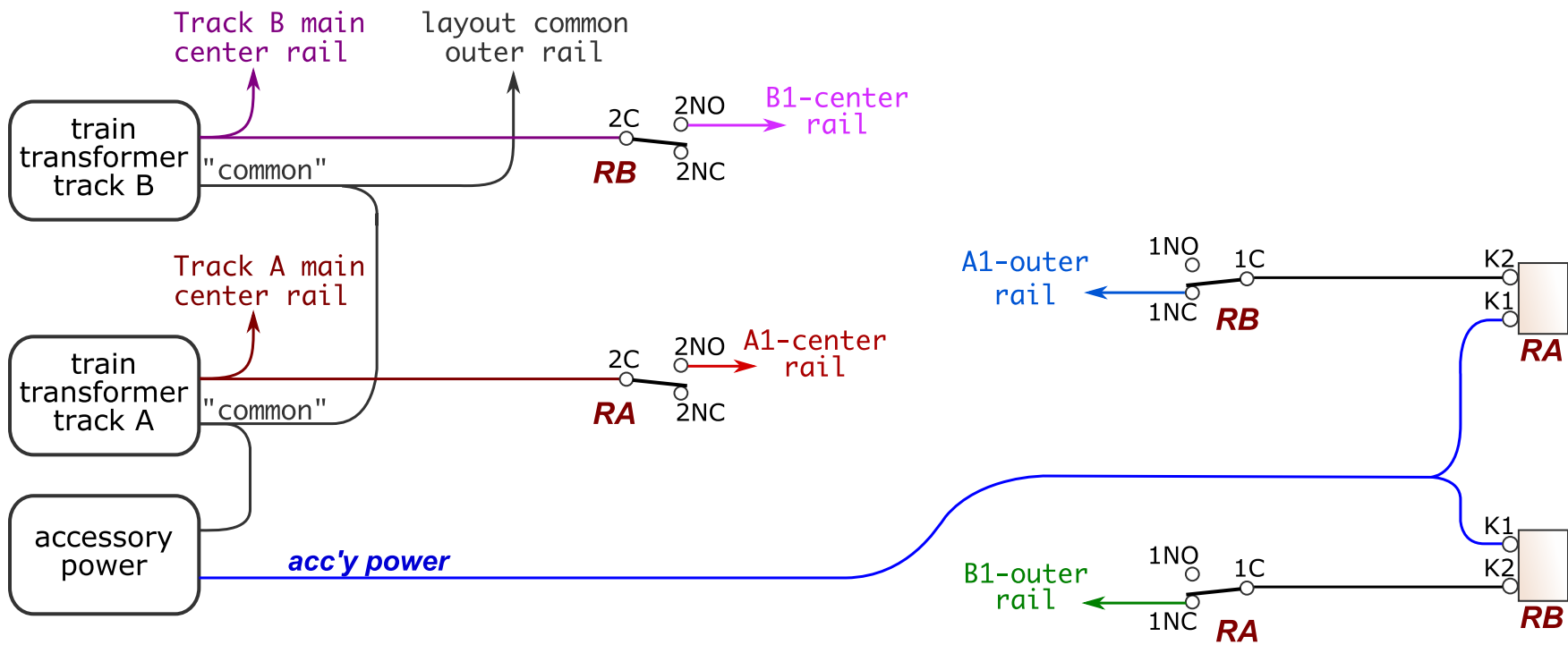


The insulating pins in tracks A & B must be far enough from the crossing so that a train entering a 'dead' section will coast to a stop before the train reaches the crossing.

### Track Connections



'RA' and 'RB' are two double-pole (DPDT) relays, such as Azatrax MRAPR-12v.

### Crossing Relay Connections

Azatrax, 1 Aug 2022