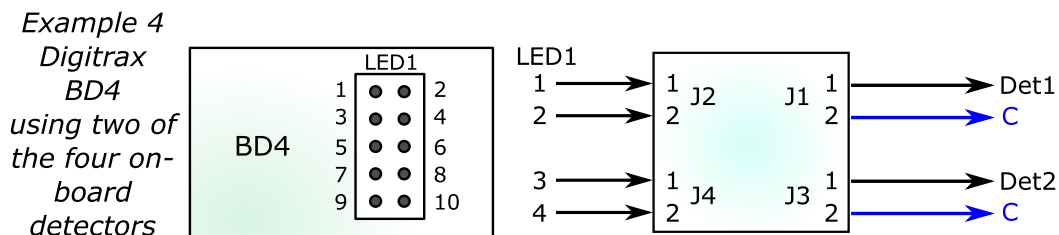
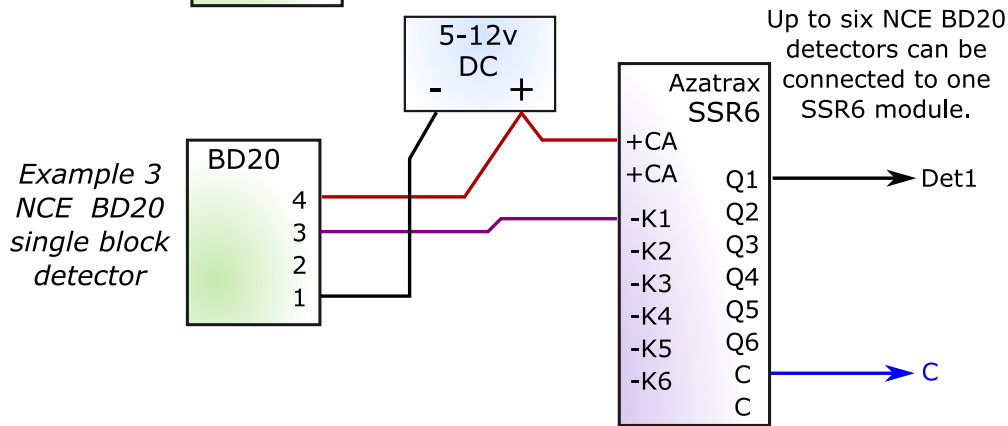
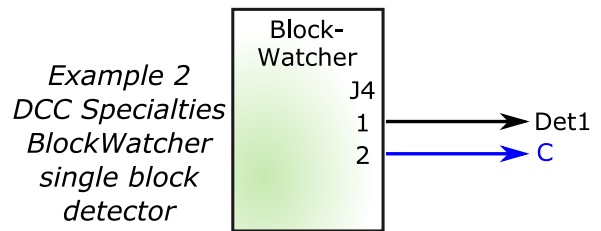
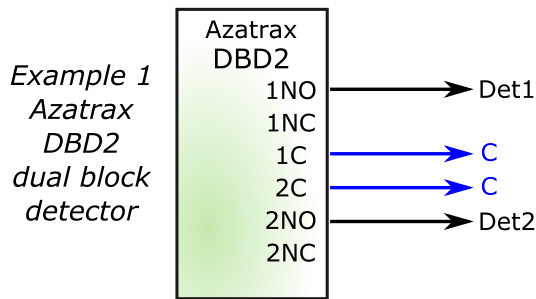


Using current sensing block detectors with a TSx signal system.  
 Block detectors may be used in combination with IR (infrared) sensors, or in place of IR sensors.



Iowa Scaled Engineering  
 part no. MRISO2  
 or equivalent opto-isolators