

Four acceptable ways to connect LED crossing signals and resistors to Azatrax control circuits.

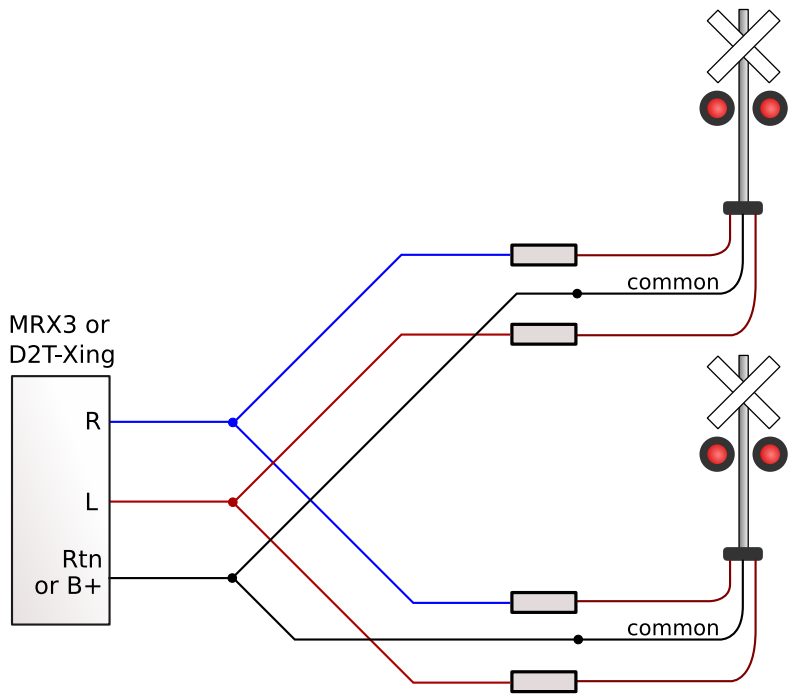


Fig. 1

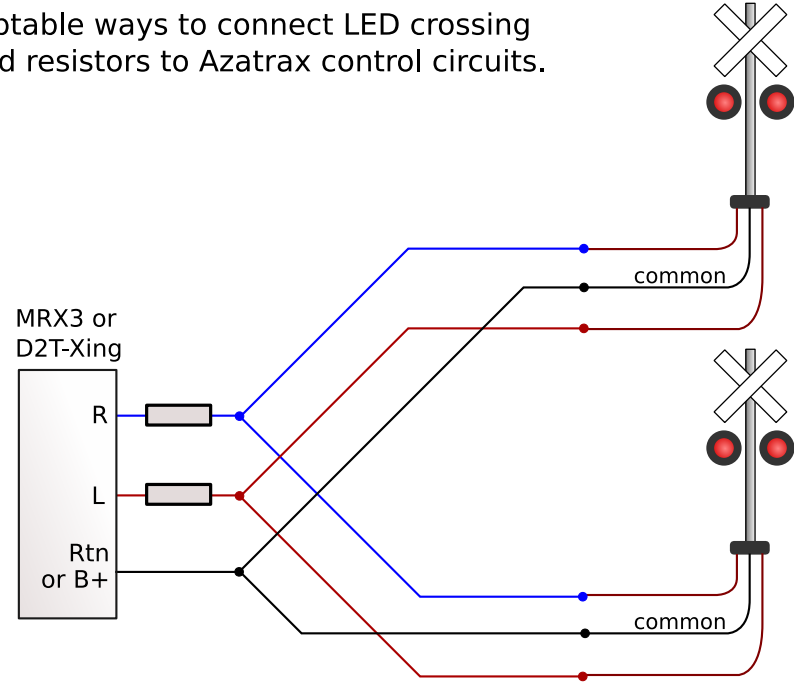


Fig. 3

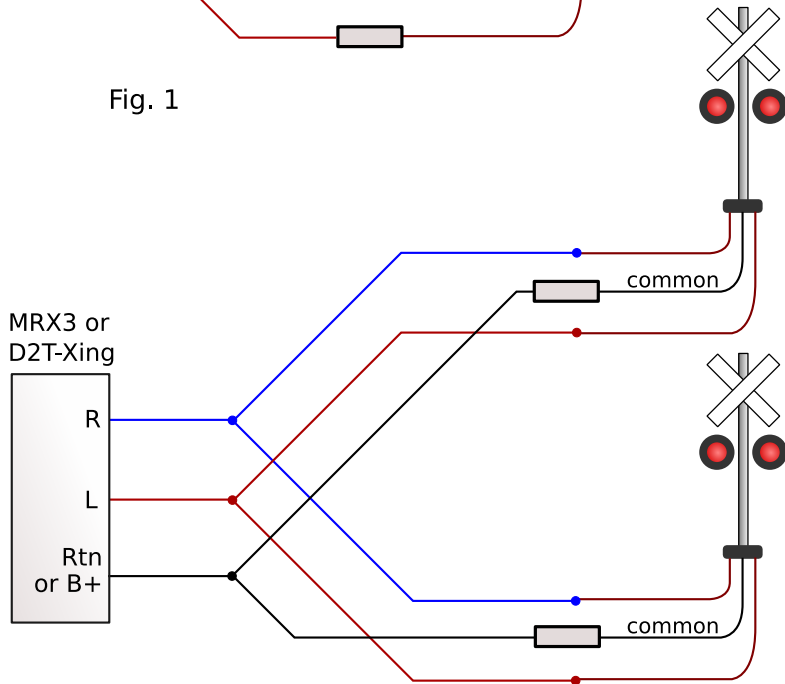


Fig. 2

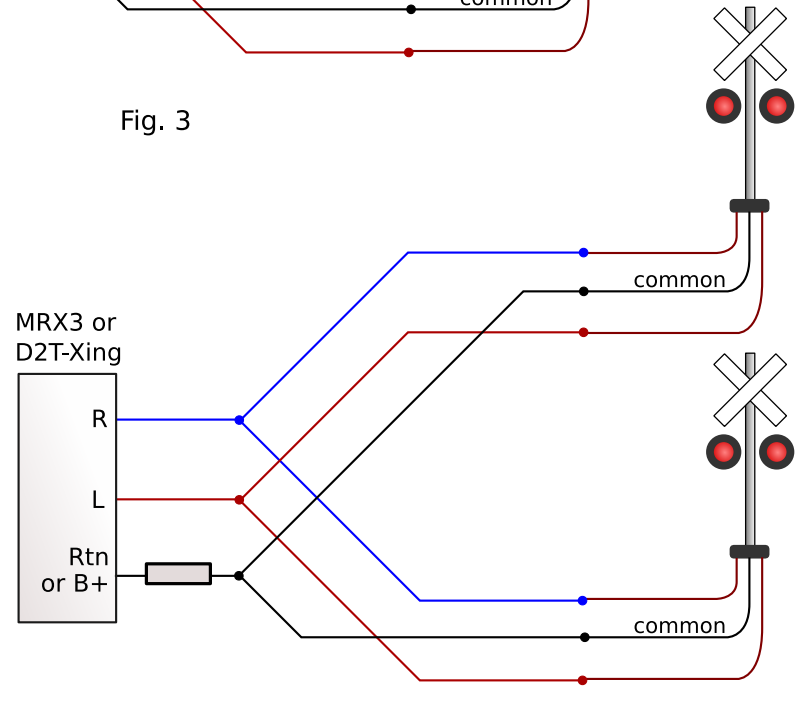



Fig. 4

Resistor. 1/4 watt or more

 600 ohms or more

Signal lights in Fig. 1 and Fig. 2 will appear brighter than Fig. 3 or Fig. 4, with the same value resistors.