

Electrical contacts linked to the turnout points.

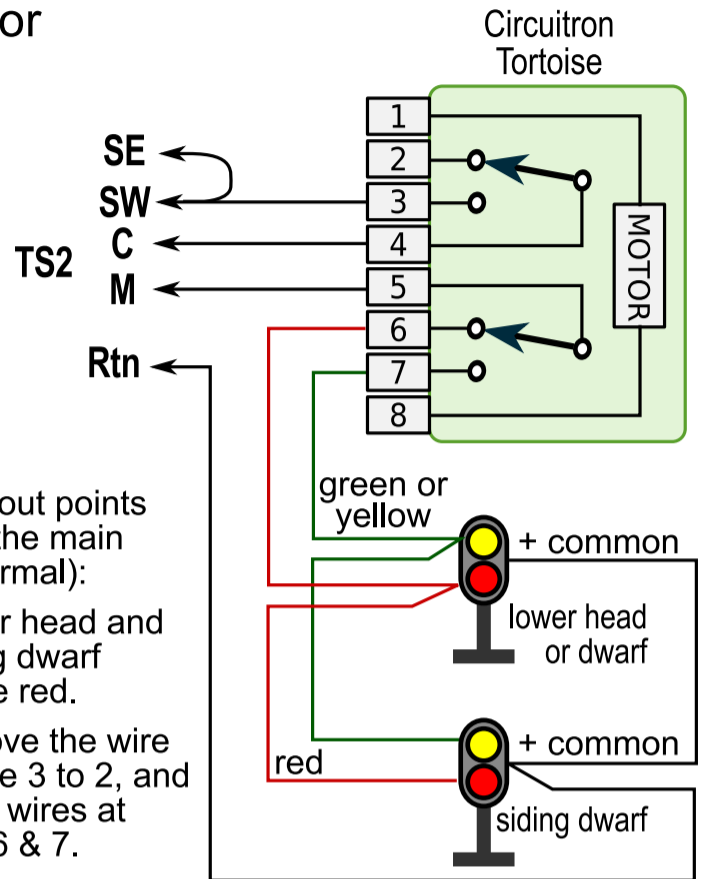
Contacts are shown in the "normal" position (N) with points aligned for the main track.

Detail

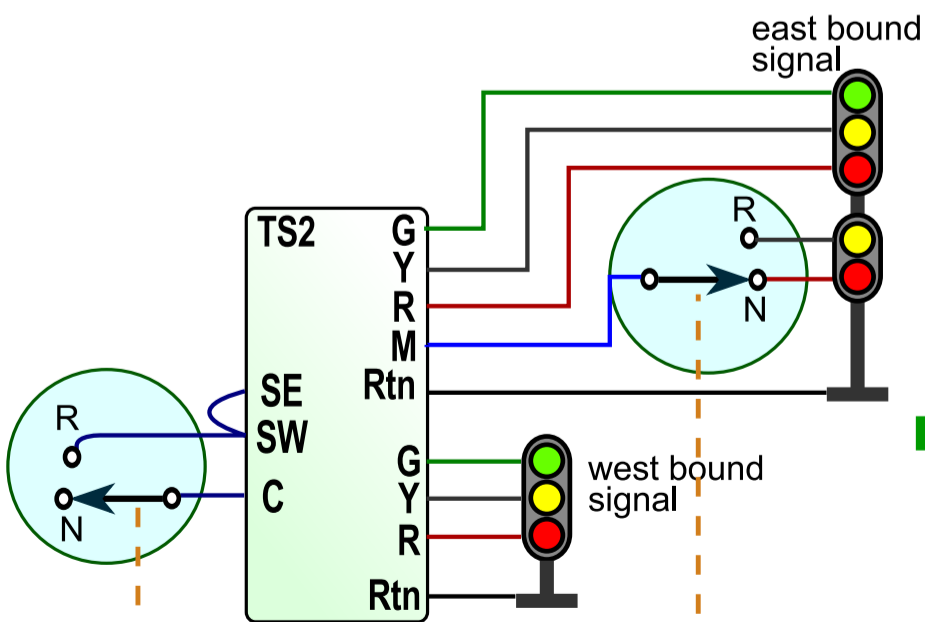
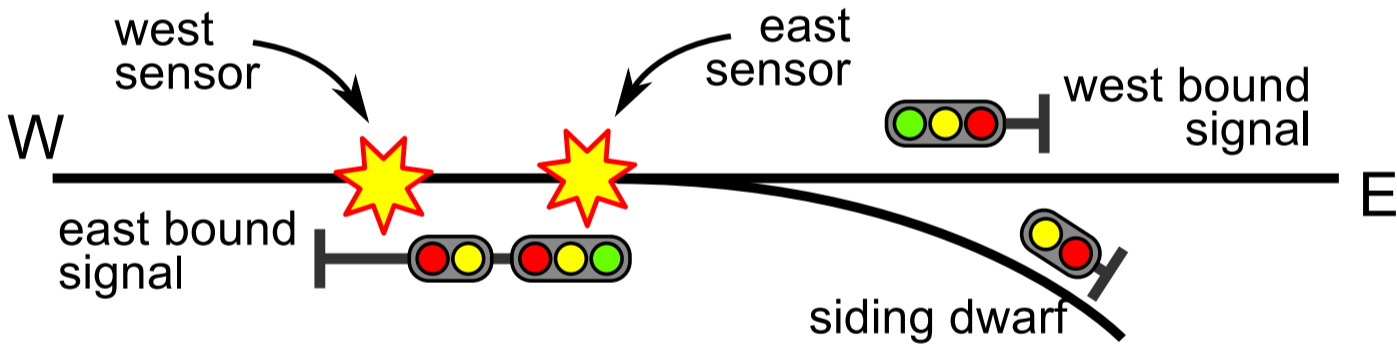


With turnout points lined for the main track (Normal):
The lower head and the siding dwarf should be red.

If not, move the wire at Tortoise 3 to 2, and swap the wires at Tortoise 6 & 7.



Azatrax 25 May 2019



Electrical contacts linked to the turnout points.

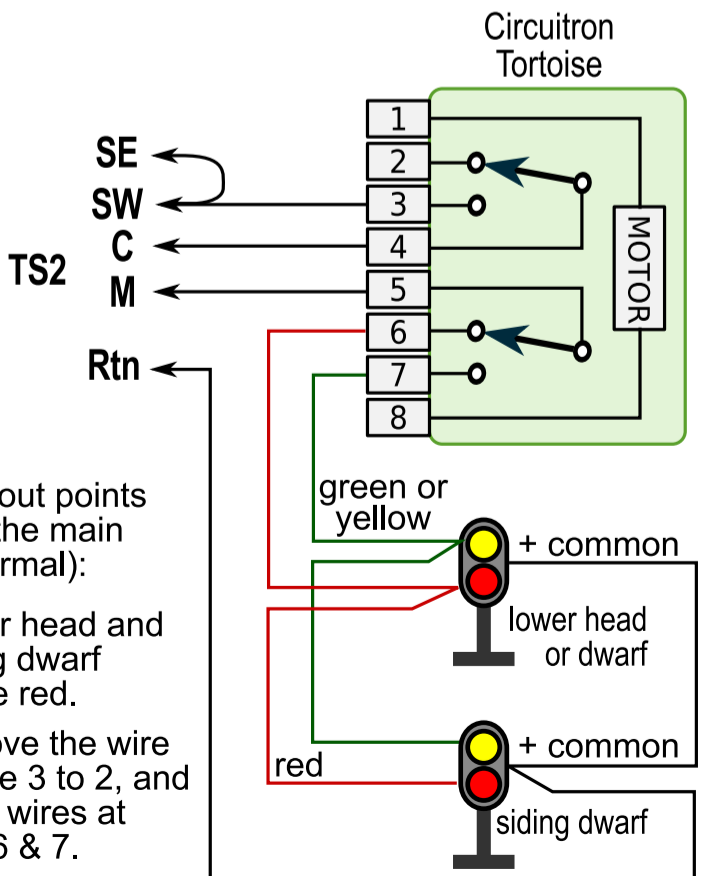
Contacts are shown in the "normal" position (N) with points aligned for the main track.

Detail



With turnout points lined for the main track (Normal):
The lower head and the siding dwarf should be red.

If not, move the wire at Tortoise 3 to 2, and swap the wires at Tortoise 6 & 7.



Azatrax 25 May 2019