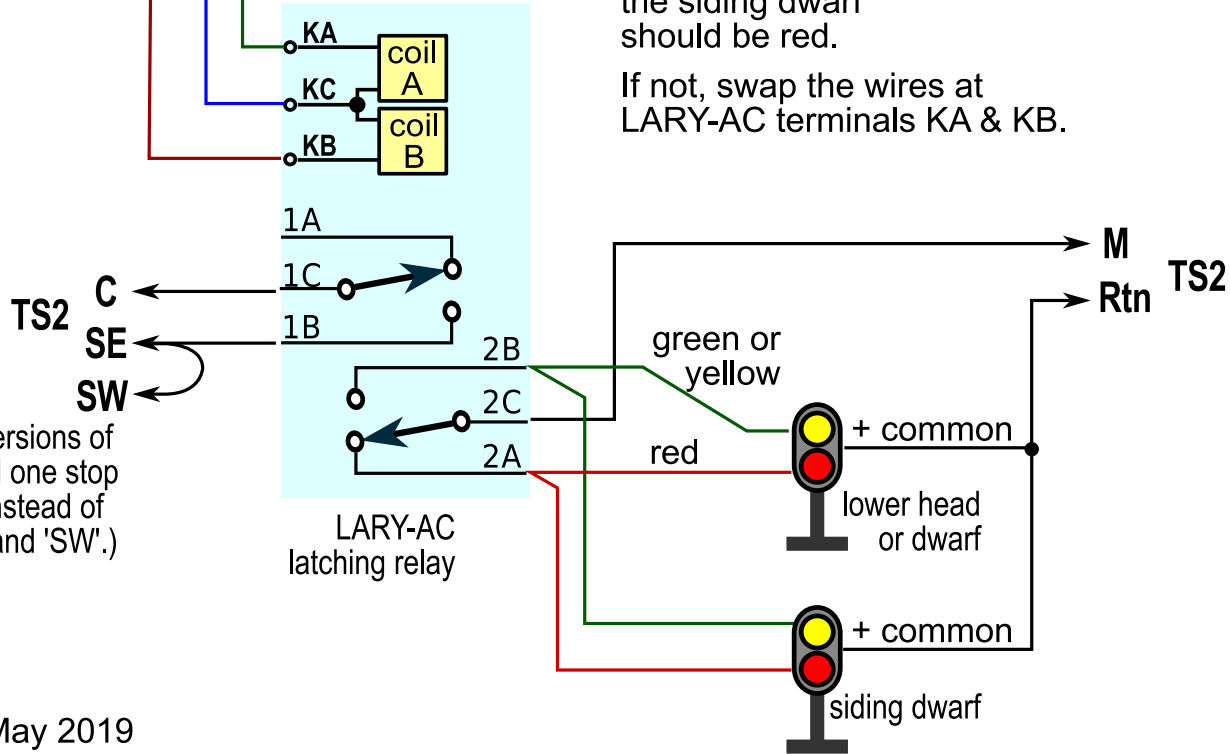


With turnout points lined for the main track (Normal):
 The lower head and the siding dwarf should be red.
 If not, swap the wires at LARY-AC terminals KA & KB.

Detail →



(Previous versions of the TS2 had one stop input, 'ST' instead of inputs 'SE' and 'SW'.)