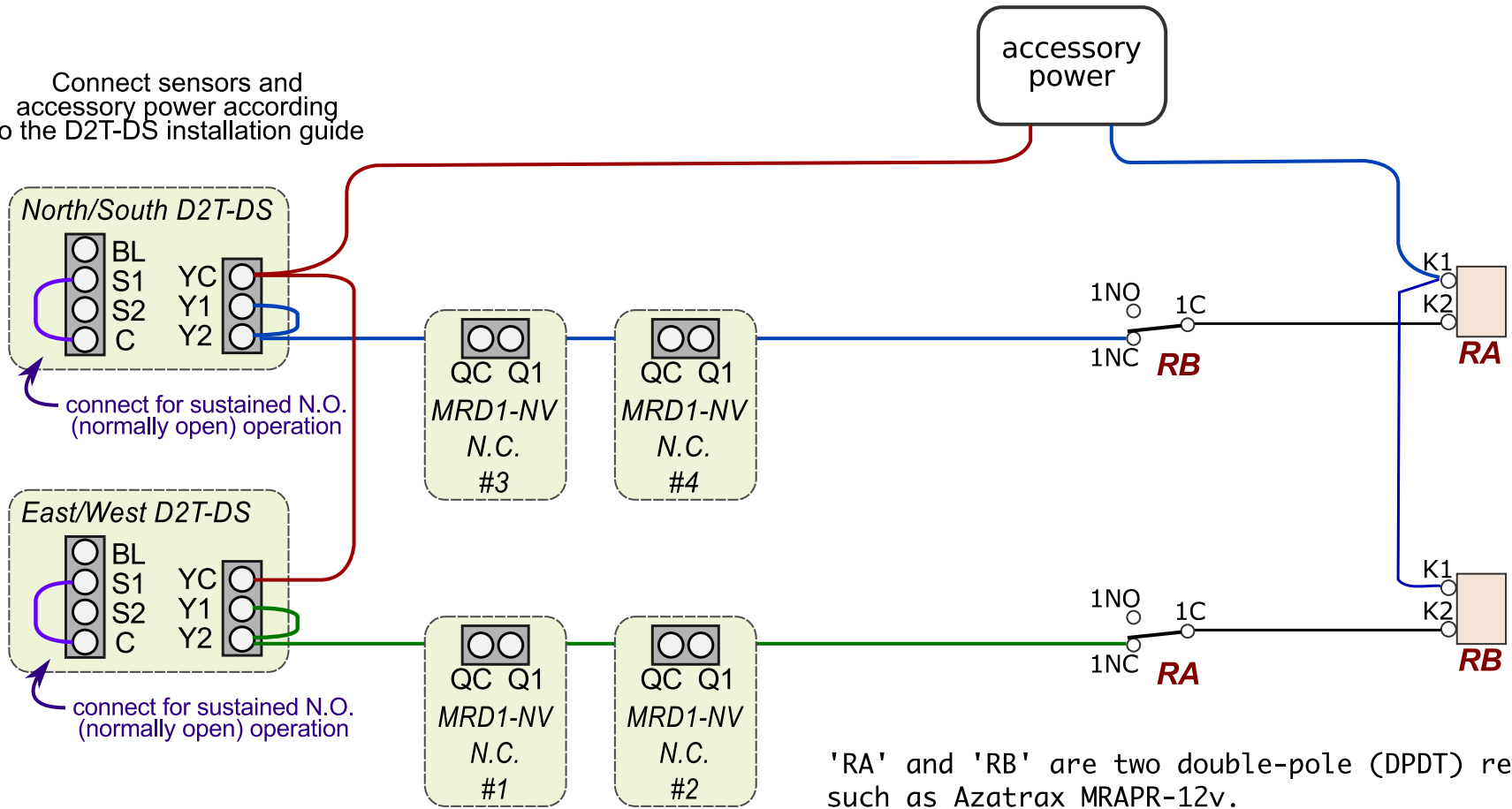


Connect sensors and accessory power according to the D2T-DS installation guide



connect for sustained N.O. (normally open) operation

connect for sustained N.O. (normally open) operation

The four MRD1-NV detectors are Normally Closed (N.C.).

The connection from QC to Q1 is *opened* when a train is detected.

'RA' and 'RB' are two double-pole (DPDT) relays, such as Azatrax MRAPR-12v.

## Crossing Relay Connections "Safe Start"

Azatrax, 4 Feb 2018