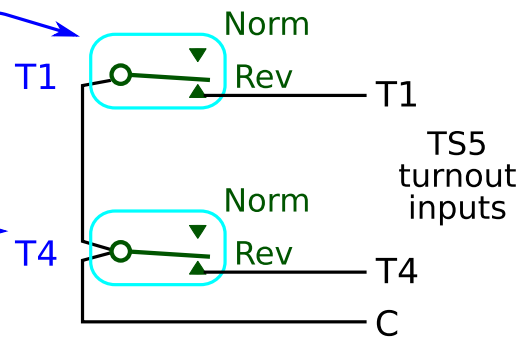


This electrical contact (switch) is linked to one of the turnouts at either end of crossover T1.
 The contact should close, connecting terminal T1 to C, when the turnout is lined for the crossover (Reverse position).
 It should open when the turnout is lined for the straight-through track (Normal position).



TS5 track config jumper off, or parked on one pin only

This electrical contact (switch) is linked to turnout T4.
 The contact should close, connecting terminal T4 to C, when the turnout is in the diverging (Reverse) position.
 It should open when the turnout is in the Normal position.

